

## GM-TPDHL Touch Pull D Handle Latch

### Features

- Watertight
- Low profile
- Larger handle for comfortable grip
- Simply push the button and handle will pop up to unlatch
- Swinging pawl prevents accidental damage to fiberglass frame when closing
- Latch compresses about 6 mm

### Material

- Stainless steel 316

### Notes

- 2" installation hole is required for **GM-TPDHL-A507977**
- 2.5" installation hole is required for **GM-TPDHL-A507979 / -A507980**
- Longer screws are required for thicker door

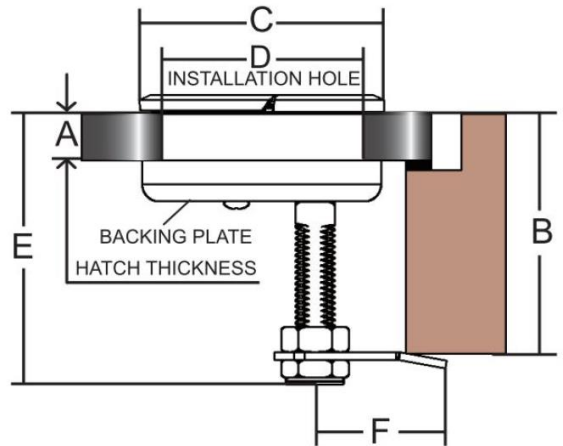
### Parts Included

- Installation screws (size #8)
- Watertight gasket



GM-TPDHL-A507979

GM-TPDHL-A507980



## INSTRUCTION

**1**

Push button to open latch.

**2**

Handle pops up and pawl goes backward.

**3**

Lift handle up to unlatch.

Part No.	Type	A	B	C	D	E	F
GM-TPDHL-A507977	Non Locking	7 ~ 19	45 ~ 66	65	50.8	80	27 ~ 43
GM-TPDHL-A507979		4 ~ 15	45 ~ 76	78	63.5	87	
GM-TPDHL-A507980	Locking						